

TECHNICAL SPECIFICATIONS

VELA 160 MIXER

Specification Information

Model No.: VELA160

Power: 3P+N+E, 415 volt, 7.5kW, 50 Hz
Supplied with 5 pin, 32amp plug

Connections: Lower right rear
Power outlet to be located 1.5m maximum off floor, client to supply

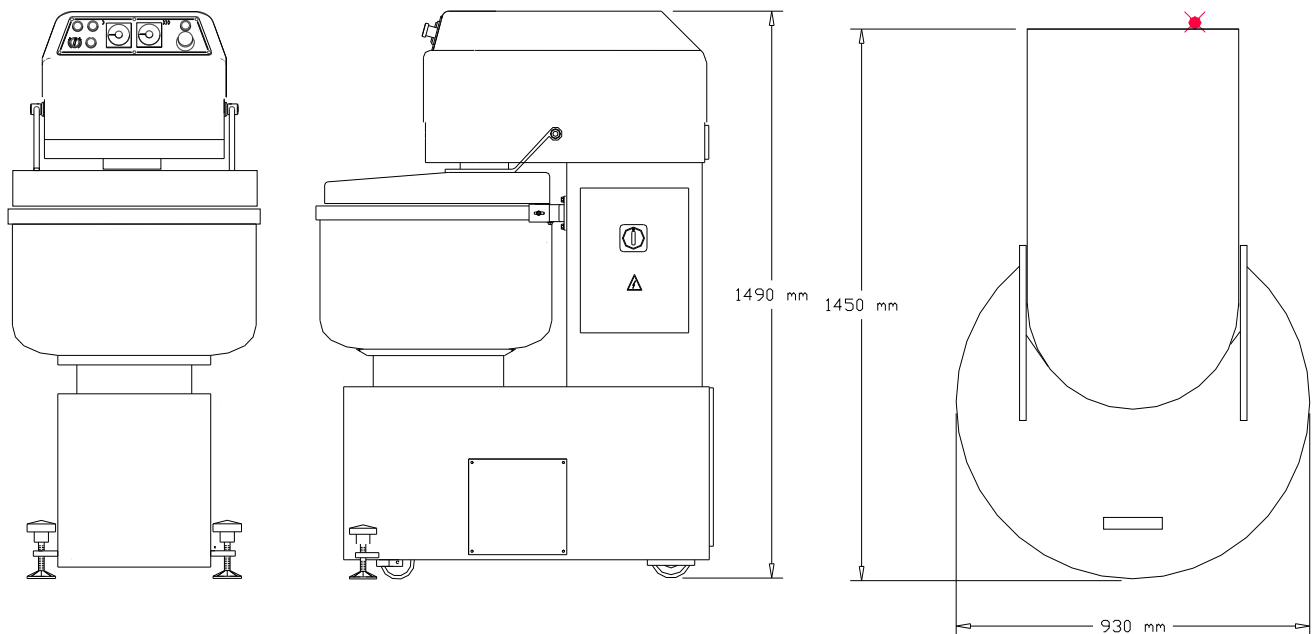
Unit Dimensions: Width: 930mm
Depth: 1450mm
Height: 1490mm

Weight: 770kg

Installation Information

The stabilising screw at the front of the mixer should be used to level the machine.

Clearance must be provided for servicing purposes.



In line with policy to continually develop and improve its products, Moffat reserves the right to change specifications and design without notice.

Australia
Moffat Pty Limited
Free Call 1800 023 953
email: vsales@moffat.com.au
www.moffat.com.au

MOFFAT
..driven by innovation and customer satisfaction

New Zealand
Moffat Limited
Free Call 0800 663 328
email: sales@moffat.co.nz
www.moffat.co.nz

Vela160 0304/1