

TECHNICAL SPECIFICATIONS

VELA 130 MIXER

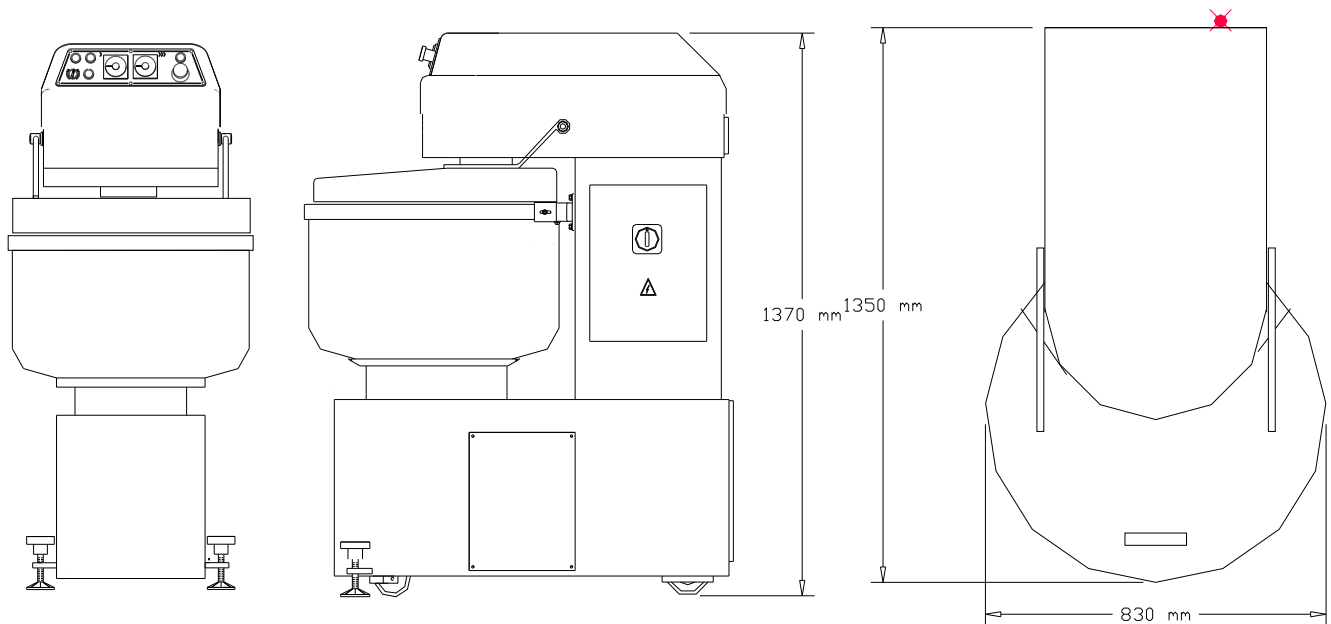
Specification Information

Model No.:	VELA130
Power:	3P+N+E, 415 volt, 7kW, 50 Hz Supplied with 4 pin, 32amp plug
Connections:	Right rear Power outlet to be located 1.5m maximum off floor, client to supply
Unit Dimensions:	Width: 830mm Depth: 1350mm Height: 1370mm
Weight:	550kg

Installation Information

The stabilising screw at the front of the mixer should be used to level the machine.

Clearance must be provided for servicing purposes.



In line with policy to continually develop and improve its products, Moffat reserves the right to change specifications and design without notice.

Australia
Moffat Pty Limited
Free Call 1800 023 953
email: vsales@moffat.com.au
www.moffat.com.au

MOFFAT
..driven by innovation and customer satisfaction

New Zealand
Moffat Limited
Free Call 0800 663 328
email: sales@moffat.co.nz
www.moffat.co.nz

Vela130 0304V1