

TECHNICAL DATA SHEET FOR Gas Griddle Toaster 600mm CT6



CT6

- 600mm wide
- Stainless steel finish
- 2 x 5.5kW (18,800Btu/hr) burners
- Variable heat dual gas controls
- Flame failure protection with continuous pilot burner and piezo ignition
- 12mm thick griddle plate
- 5-position toasting rack
- Full width grease trough and removable collection tray
- Open cabinet base for extra storage
- Adjustable front feet and rear rollers

Overall Construction

12mm machined surface mild steel griddle plate
Stainless steel sides, splashguard and control panel
Dual burners with individual pilot and flame failure
Aluminised steel crumb tray and cabinet interior
Chrome plated toasting rack and rack supports
Two stainless steel grease trays
50mm dia. stainless steel adjustable legs to front and two rollers at rear

Controls

Large easy use control knobs
Dual controls with variable high to low burner setting
Flame failure pilot burners
Piezo ignition to pilot burners

Cleaning and Servicing

Removable grill rack system, rack supports and crumb tray
Removable grease trays
Easy clean stainless steel exterior
Access to all parts from front of unit

TECHNICAL DATA SHEET FOR Gas Griddle Toaster 600mm CT6

Burners

2 x 6kW, 20,400Btu/hr tubular burners with grill radiants

Gas power (gross)

12kW, 40,800Btu/hr

Cooking surface

590mm x 520mm, 3068cm²

Toaster Dimensions

Rack size 430mm x 470mm

Rack positions 4

Gas connection

R¹/₂ (BSP) male

130mm from RH side, 32mm from rear, and 655mm from floor

All units supplied with Natural and LP gas regulator

Dimensions

Width 600mm

Depth 800mm

Height 915mm

Incl. splashback 1085mm

Packing data

0.70m³

Width 640mm

Depth 865mm

Height 1255mm

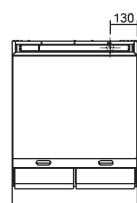
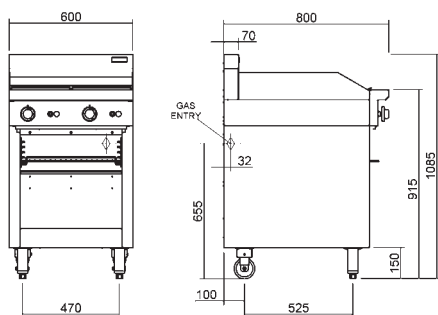
93kg nett weight

143kg packed weight

Gas types

Available in Natural gas and LP gas, please specify when ordering

Other gas types on request



CT6



www.blue-seal.co.uk

United Kingdom
Blue Seal Limited

Unit 67
Gravelly Business Park
Gravelly
Birmingham B24 8TQ
England
Ph 0121-327 5575
Fax 0121-327 9711
sales@blue-seal.co.uk
www.blue-seal.co.uk

Australia
Moffat Pty Limited

740 Springvale Road
Mulgrave
Victoria 3170
Australia
Ph 03-9518 3888
Fax 03-9518 3833
vsales@moffat.com.au
www.moffat.com.au

New Zealand
Moffat Limited

16 Osborne Street
PO Box 10-001
Christchurch 8011
Ph 03-389 1007
Fax 03-389 1276
sales@moffat.co.nz
www.moffat.co.nz



Designed and manufactured by



ISO9001

All Cobra products are designed and manufactured by Moffat using the internationally recognised ISO9001 quality management system, covering design, manufacture and final inspection, ensuring consistent high quality at all times.



In line with policy to continually develop and improve its products, Moffat Limited reserves the right to change specifications and design without notice.

