



FOOD WARMERS

Model: E83
4 Racks 493 x 295mm

E84
4 Racks 693 x 295mm

WARNING

DO NOT OBSTRUCT THE AIR CIRCULATION BY PLACING ALUMINIUM FOIL OR SIMILAR ON RACKS OR ACROSS THE BOTTOM OF THE CABINET AS THIS MAY CAUSE PRODUCT FAILURE.

INSTALLATION: All appliances are to be installed by an electrician who must check unit is operating correctly. This appliance must be grounded (earthed). All installations are to be in accordance with local Health, Safety and Electrical requirements. Units fitted with cord and appropriate plug can be connected directly to the supply listed below.

THE APPLIANCE MUST BE POSITIONED SO THAT THE PLUG IS ACCESSIBLE

IF SUPPLY CORD IS DAMAGED, IT MUST BE REPLACED BY A SUITABLY QUALIFIED PERSON IN ORDER TO AVOID A HAZARD.

E83 for 220-240 Volts ac 800w 3.4 Amp at 240 Volts

E84 for 220-240 Volts ac 1100w 4.6 Amp at 240 Volts

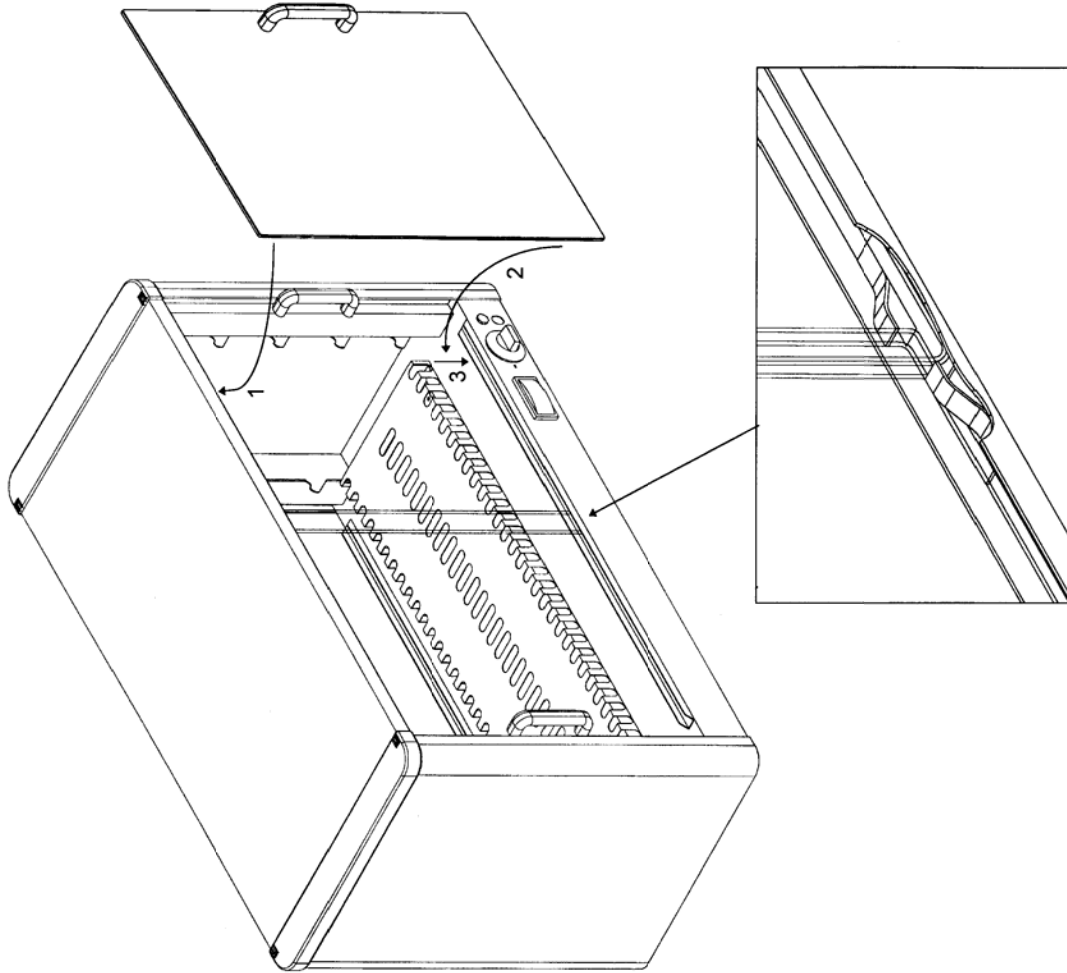
OPERATION

This unit is designed to heat pre-cooked food to serving temperature, and keep it warm until required.

The element is thermostat controlled. Turn thermostat dial clockwise to the desired level (or on full until the desired temperature is reached, then turn anti-clockwise until the pilot light goes out). The thermometer shows the temperature in the cabinet. The pilot light illuminates when the element is on.

Place food on the racks provided, with space between to allow hot air to circulate.

NOTE: All models are supplied with a door retaining bracket. When fitted, the two rear doors cannot be opened. Remove if not needed.



CLEANING

Ensure power is disconnected.
 Remove doors - lift up out of bottom channel and lower them out of top channel. (For full glass back option, lift glass straight up). Remove racks after doors have been removed.
 Remove element guard by lifting out.
 Clean with a damp cloth and detergent.
 Re-assembly is the reverse of steps above. To replace door locate top of door into top channel and lower door into bottom channel. (See illustration)

THIS APPLIANCE MUST NOT BE CLEANED WITH A WATER JET.

SERVICING **DISCONNECT POWER SUPPLY BEFORE SERVICING**

Remove racks, doors and element guard as described above. Turn cabinet onto its back or top and remove base. Remove RHS end cap and RHS wrapper for access to Thermostat.

SPARES

Spare parts are listed below.

For parts not listed please include model and serial numbers with a description of the part.

| DESCRIPTION | MODEL E83 | MODEL E84 |
|------------------------------|-----------|-----------|
| Door Glass | 20960 | 20961 |
| Glass Back Panel | 20962 | 20963 |
| Door Handle | 18178K | 18178K |
| Rack | 20964 | 20965 |
| Element 800W | 21109 | 21110 |
| Element 1100W | | 011980 |
| Thermostat | | 21112 |
| Knob | 21113 | 21113 |
| Thermometer | 13528 | 13528 |
| Pilot Light | 21114 | 21114 |
| Foot | 20966 | 20966 |
| End cap | 21102 | 21103 |
| Element Guard | 21102 | 21103 |
| Bulb 25W (Light Models Only) | 14218 | 14218 |

CIRCUIT DIAGRAM

